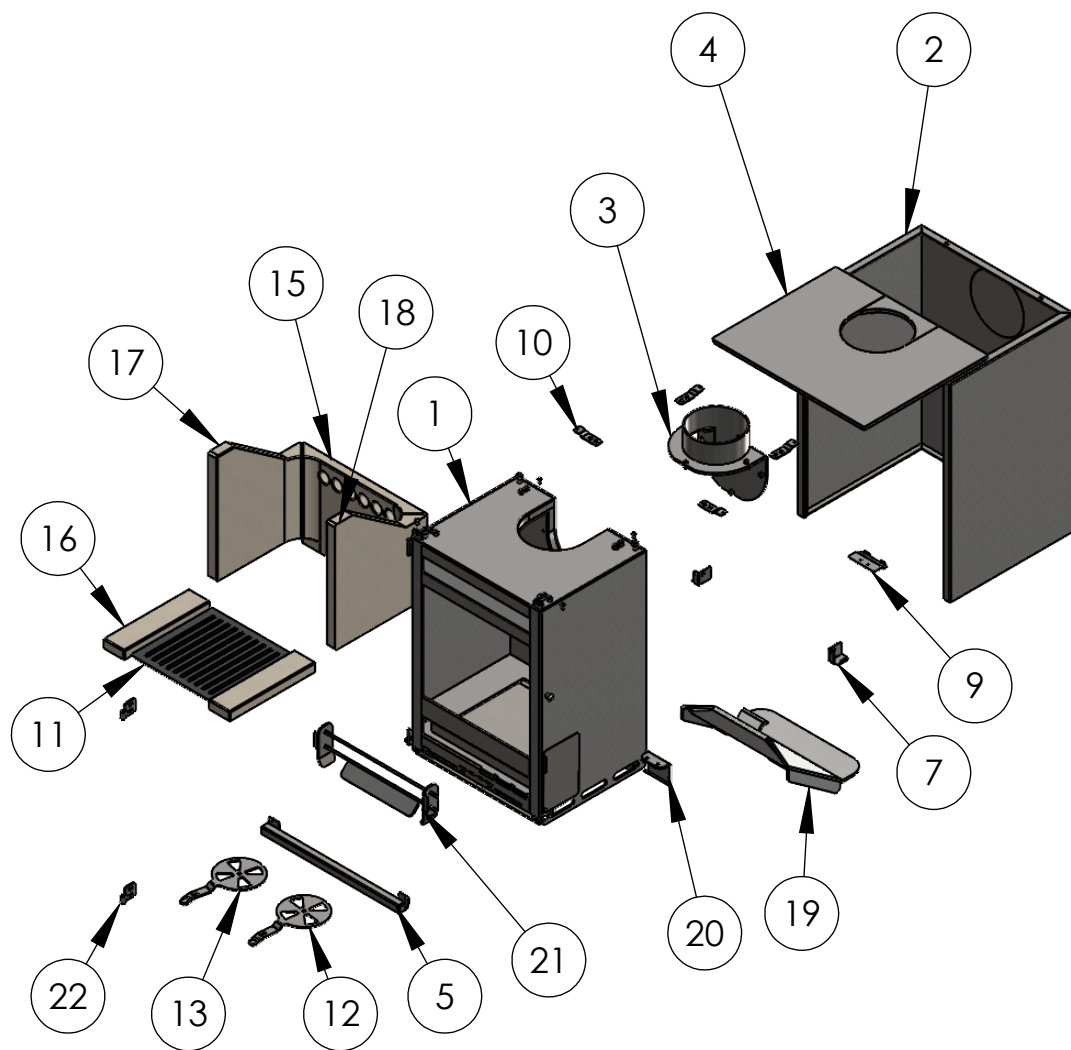


Ecostar Freestanding



ITEM NO	PART NUMBER	5KW	5KW Wide	QTY.
1	Firebox assembly			1
2	Outer Case	9819	9846	1
3	Spigot Assembly	9230	9230	1
4	Top Plate	9799 / infill: 9800 / blanking plate 9801	9832 / infill: 9800 / blanking plate 9801	1
5	Base Trim	9820	9847	1
6	FS Support Bracket	9821	9848	2
7	RH Front Lower Case Bracket	9828	9828	1
8	LH Front Lower Case Bracket	9829	9829	1
9	Rear Lower Case Bracket	9822	9822	1
10	Upper Case Bracket	9802	9802	4
11	Main Grate	7855	7855	1
12	Primary Air Control Disc	9824	9824	1
13	secondary Air Control Disc	9825	9825	1
14	External Airbox	9823	9849	1
15	Rear Firebox Liner	9807	9834	1
16	Side Base Firebox Liner	9808	9837	2
17	Left Hand Side Firebox Liner	9805	9805	1
18	Right Hand Side Firebox Liner	9806	9806	1
19	Baffle Plate	9803	9833	1
20	Baffle Support	9804	9804	1
21	Fuel Retainer	9809	9838	1
22	Steel Hinge	9826	9826	2
23	Hinge Pin	FPX458-DRPN	FPX458-DRPN	2
24	Ashpan	9818	9845	1